

# Bi-O Filius sauna heater

## Wall heater with evaporator

### Recommended for the family sauna

Outer casing: Anthracite pearl effect  
 Inner casing: Bright polished stainless steel  
 Evaporator filling quantity: approx. 2 l  
 Stone filling: 8 kg inc.

Stainless steel herb bowl to accommodate herbs, essential oils and essences.

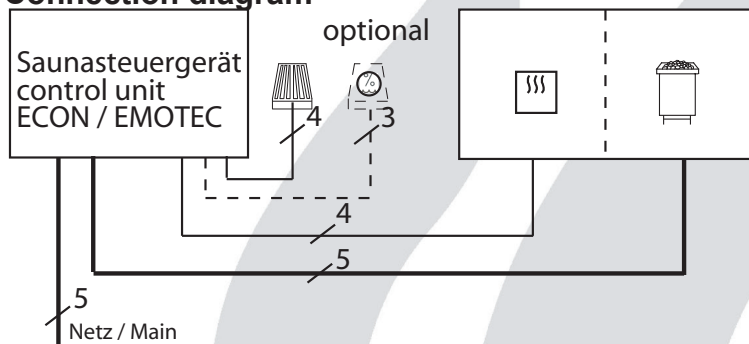
Integrated dry-running protection with acoustic low water signal.

Dimensions in mm Height: 750 with 180 mm ground clearance  
 Width: 470  
 Depth: 240

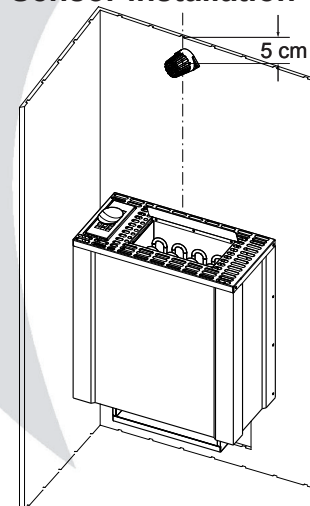


CE IP x4  
 MADE IN GERMANY

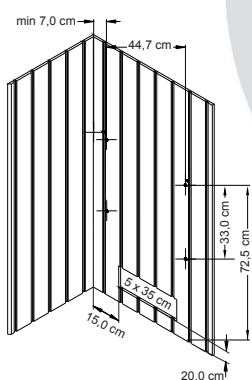
#### Connection diagram



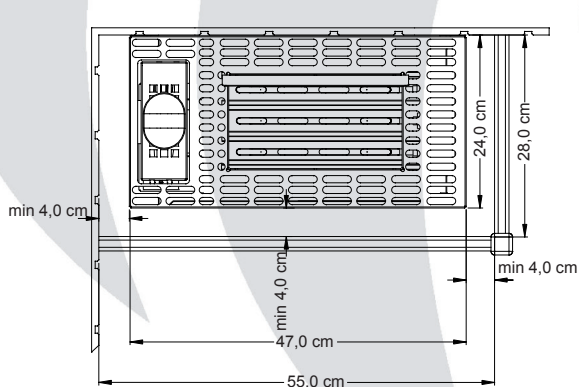
#### Sensor installation



#### Installation dimensions



#### Minimum clearances



Art.No.	Power acc. DIN	Evaporator power	Electr. connection	Fuse protection in A	for cabin volumes	Minimum dimension for ventilation and bleeding	Connection mains - control unit	Connection control unit - heater	Power switchgear required	to be used with the control units
94.5144	4,5 kW	1,0 kW	3N AC 50 Hz 400 V	3 x 16	4 - 6 m <sup>3</sup>	35 x 5 cm	5 x 2,5 <sup>2</sup>	1pcs. 5 x 1,5 <sup>2</sup> 1pcs. 4 x 1,5 <sup>2</sup>	no	ECON H1 ECON H2 EMOTEC HCS9003 EMOTEC HCS9003 DB/DL/DLF EmoTouch II PB/AF/GF
94.5145	6,0 kW				6 - 8 m <sup>3</sup>					
94.5146	7,5 kW				7 - 10 m <sup>3</sup>					

All information on cable cross-sections are minimum cross-sections in mm<sup>2</sup> copper line.

Subject to technical changes