



Technical data sheet

LSG 18

Contactor box for power extension for sauna control units

Contactor box with 18 kW switching capacity for power extension for sauna control units. Very compact, place-saving design and highly reliable construction.

Your benefits:

- Compact, place-saving design
- Elegant housing with two-part front cover
- Durable, highly reliable construction
- Fast and simple installation
- Connections possible from the bottom and from the rear side
- 18 kW switching capacity. In combination with a sauna control unit suitable for sauna heaters up to 27 kW power
- With integrated fuse rack for individual protection of all three phases (fuses not included)
- Made in Germany quality from EOS

Specifications and features:

Housing:	Shatter-resistant plastic, anthracite / grey with two-part front cover
Switching capacity:	18 kW
Power supply:	400 V 3N AC 50 Hz
Weight:	ca. 2,8 kg
Dimensions (W x H x D):	270 x 300 x 100 mm
Installation:	Wall-mounting
Cable connections:	bottom or rear side
Item no:	94.5730

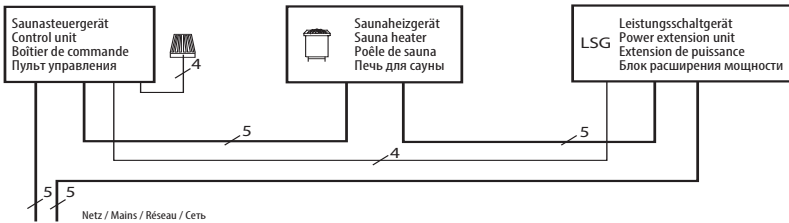


MADE IN GERMANY

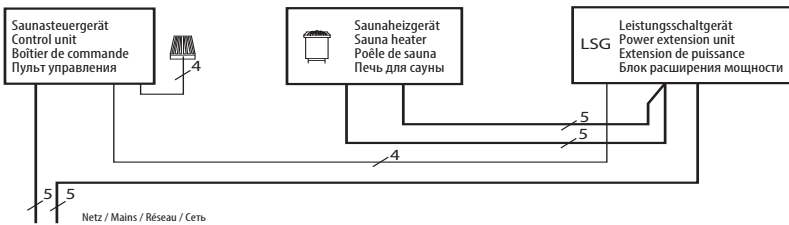


Connection plan

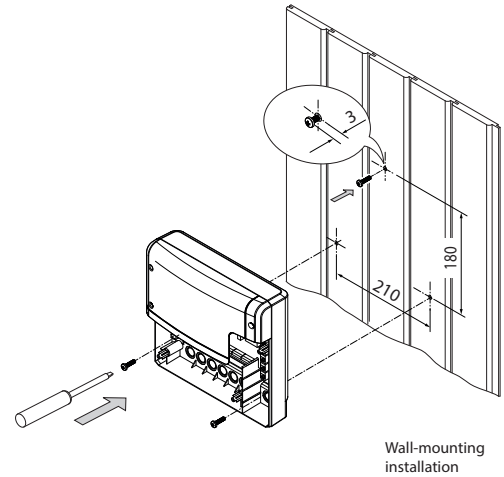
For 2-circuit heaters up to 27 kW (max. 9 kW via control unit / max. 18 kW via LSG18)



For 2-circuit heaters up to 18 kW (alternative, connection completely via LSG18)

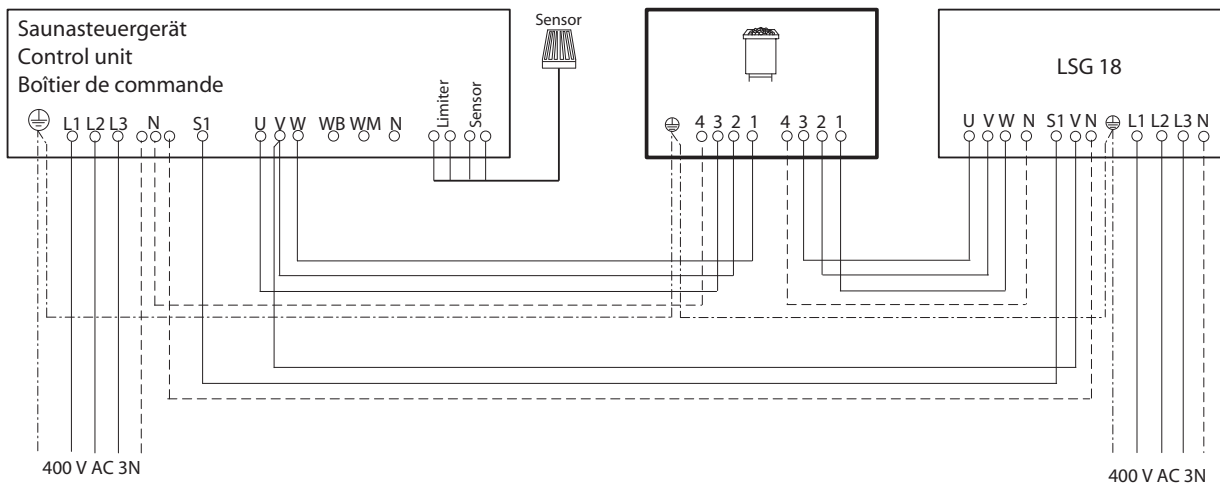


Installation



Notice:
3 fuses of Neozed D02 type are required for operation. Fuses are not included in the delivery scope and shall be provided on site with regards to the connected heater power and max current per each phase.

Wiring diagram



Technical specifications

Item no.	Power supply	Switching capacity	Colour	Dimensions W/H/D	Ambient temperature during operation	Weight without packing
94.5730	400 V 3N AC 50Hz	18,0 kW resistive load	anthracite / grey	27 / 30 / 10 cm	-10 to +40 °C	2,8 kg