

Infrared emitter Vitae 350 - 500 - 750

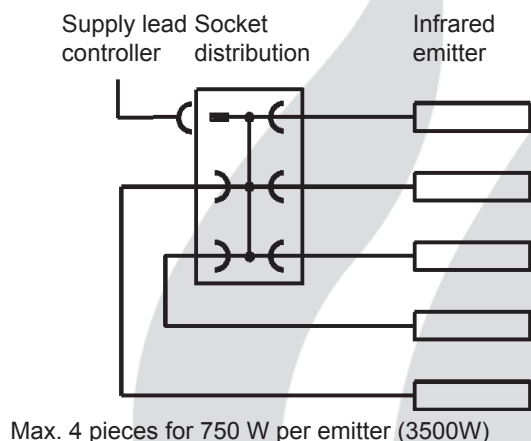
For infrared warm cabins

- Housing: chrome steel
- Reflector: high-gloss polished aluminium
- Covering grille: with protective flock spray
- Choice of installation: horizontal or vertical, no ceiling suspension

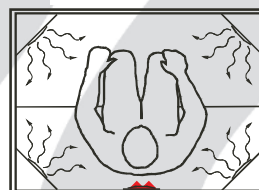
Completely premounted with 3 m silicone connecting cable 3 x 1.5 mm² and ready-made connecting plug.



Connection diagram



MADE IN GERMANY



Do not place the radiator directly behind the back! Recommended distance between radiator and body about 50 cms.

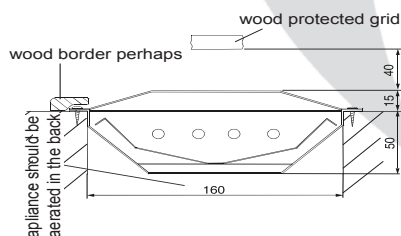


For a too long time looking in the emitter, your eyes can be damaged.

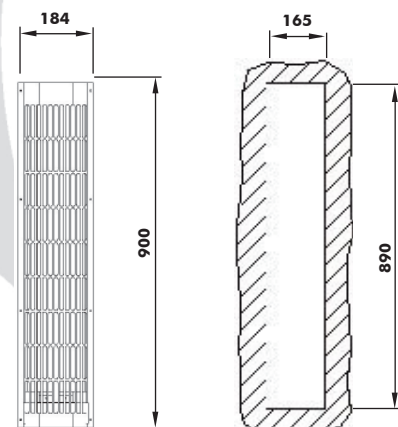
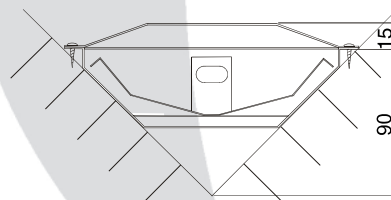
Front sight

Cut-out of the wall

vertical assembly on the cabin wall



vertical assembly in the cabin corners



Art.No.	electrical connection	Power	Spectrum	Dimensions H/W/D in cm	Cut-out for mounting in cm	Weight without package	For operation with control units
94.2865	230 V N AC 50 Hz	350 W	1,4 - 10µm IR-A IR-B IR-C	89 / 18,5 / 6,5	89 x 16,5	ca. 2,5 kg	60 IR Infratec Classic InfraTouch
94.2576		500 W					
94.2577		750 W					

Subject to technical modifications

