

# FWA 01

## Permanent water connection for heaters with vaporiser

Permanent water connection for retrofitting to a heater with vapo-riser for the automatic filling of the vaporiser from the mains water supply. The permanent water connection is fitted at the back and is linked by a flexible steel hose.

Hose connection: 1/2" thread.

### Technical data

Art.No.: 94.2599

Material: chrome nickel steel

Height: 130 mm

Width: 210 mm

Depth: 60 mm

Fill-up quantity: approx. 1.2 litre

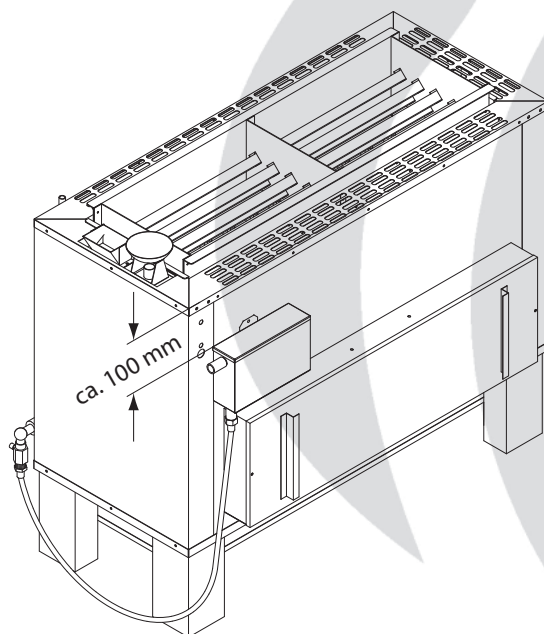
Maximum connection pressure: 6 bar

If the value of the connection pressure is above 6 bar, a pressure reducer has to be used.

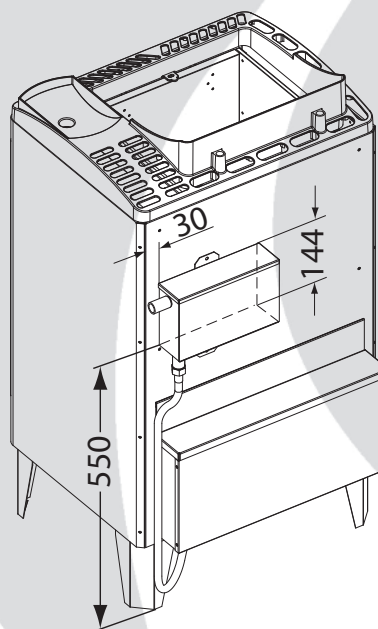
For use with all heaters with vaporiser.



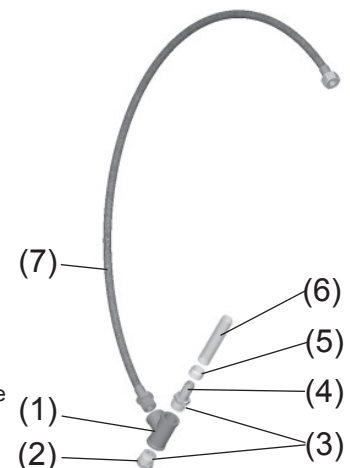
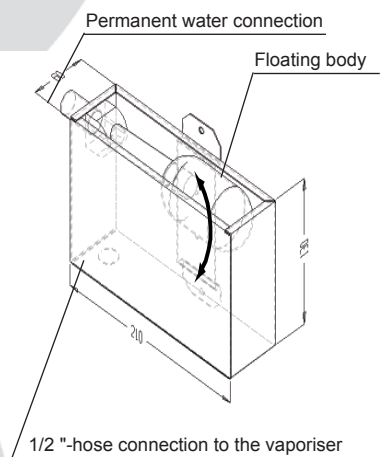
MADE IN GERMANY



Connection to Bi-O Star



Connection to Bi-O Max



Subject to technical modifications

### Important information:

The rules of the EN 1717 as well as the DIN 1988 part 4 are to respect. It is important to prevent that the water can't flow back into the drinking watermanagement-system. Pipe or system separator are suitable for example.

Please ask your drinking water supplier or in a authorised sanitary specialised trade if necessary.

- 1 = T-piece
- 2 = plug
- 3 = sealing
- 4 = hose clip
- 5 = hose clamp
- 6 = silicone hose
- 7 = reinforced hose