



Technical data sheet

# Thermo-Tec

**Sauna heater for domestic sauna cabins.  
Wall-mounting model.**

Universal sauna heater for the Finnisch (dry) sauna. Thanks to the elegant curved top made of die-cast aluminium with anthracite pearl effect coating Thermo-tec heaters offer a contemporary stylish design for modern sauna cabins.

## Your advantages:

- Durable sauna heater for dry Finnish sauna.
- Optimal relation between stone volume and air convection system for fast heat-up times and powerful water infusions.
- Contemporary, elegant die-cast aluminium top.
- Scratch resistant anthracite pearl effect powder-coating.
- VDE approved for safety and norm compliance.
- Made in Germany quality from EOS.

## Specifications:

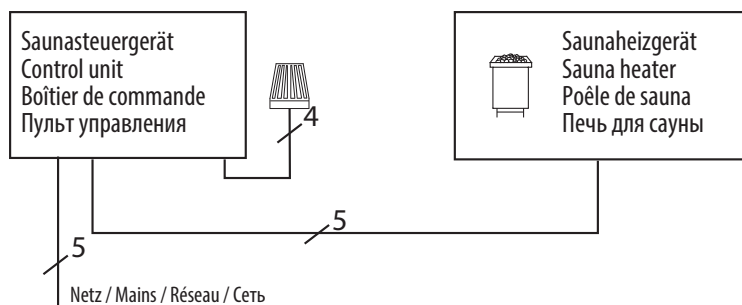
Outer shell:	Steel with anthracite pearl effect powder-coating (scratch-resistant)
Inner shell:	Stainless steel
Top:	Die-cast aluminium top, anthracite pearl effect coated
Rear wall:	Zinc-plated steel
Stone support grill:	Stainless steel
Terminal box:	Zinc-plated steel, corrosion-resistant
Power range:	6,0, 7,5 and 9,0 kW
Power supply:	400 V 3N AC 50 Hz
Stone filling:	15 kg, incl. in delivery
Installation:	Wall-mounted heater



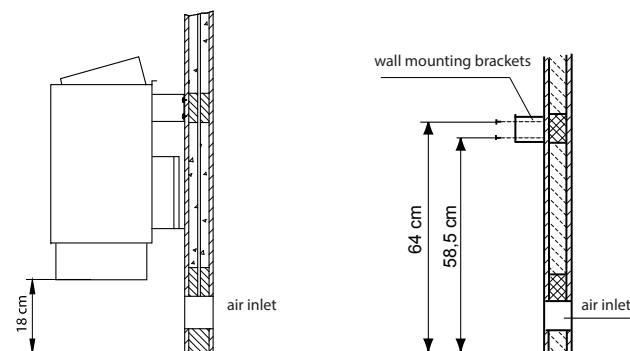
MADE IN GERMANY



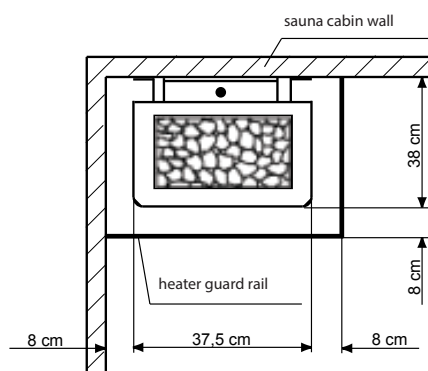
### Connection diagram



### Installation example



### Minimum clearances



### Suitable sauna control units

Model	Item no.
Econ D1	94.5202
Econ D2	94.5204
Econ D3	94.5549
Emotec D	94.5559
Emotec DC9000	94.4674
Emotec DC9000 DLF	94.4639

### Spare parts

Description	Item no.
Heating element for 4,5 kW (1500W)	2000.8085
Heating element for 6,0 kW (1500 W)	2000.8085
Heating element for 7,5 kW (1500 W)	2000.8085
Heating element for 9 kW (1500 W)	2000.8085

Item no.	Colour	Power output	Electrical connection	Fuse protection (control unit)	Dimensions H/W/D, in cm	For sauna cabin size	Min. size air inlet and outlet	Weight without rocks	Connection mains - control unit	Connection control unit - heater	Power extension required
94.3138	Anthracite pearl effect	6,0 kW	3N AC 50 Hz 400V	3 x 16 A	60 / 37,5 / 36	6 - 8 m <sup>3</sup>	35 x 4 cm	11,0 kg	5 x 2,5 mm <sup>2</sup>	5 x 1,5 mm <sup>2</sup>	no
94.3139		7,5 kW				7 - 10 m <sup>3</sup>	35 x 5 cm				
94.3140		9,0 kW				9 - 14 m <sup>3</sup>	35 x 6 cm				

All cross sections of a line are minimum diameters in mm<sup>2</sup> (copper wire), make sure to observe 18 cm ground clearance.