



Technical data sheet

Saunadome II

Sauna heater for domestic and commercial saunas. Floor-standing model.

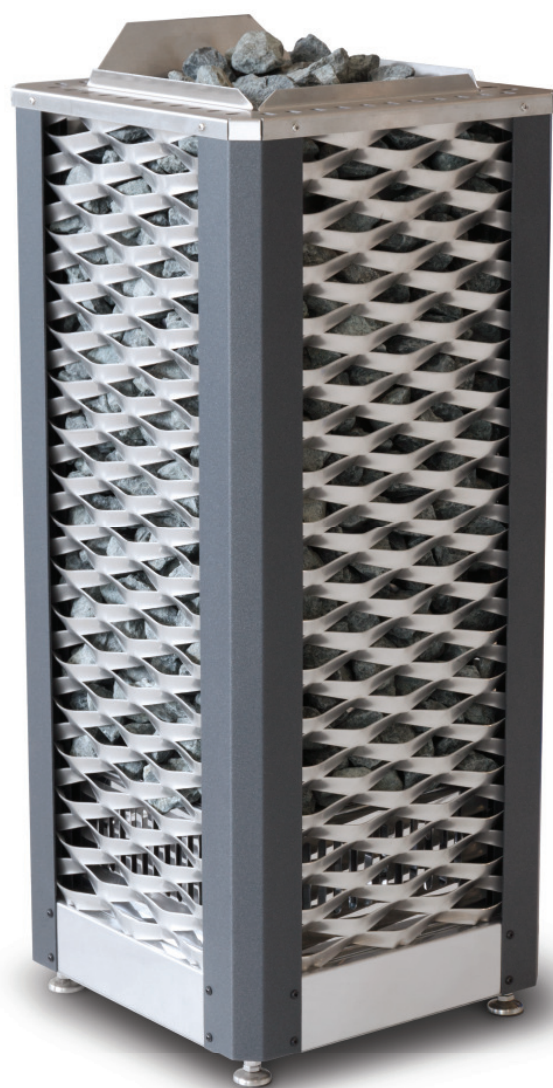
Exclusive sauna heater in distinctive tower design with open rock store. Ideal for placement in front of glass walls or in the centre of the sauna. Specially angled rock store frame prevents stones from falling out for increased safety in use. Improved construction for faster heat-up time.

Your advantages:

- Distinctive tower design with open rock store.
- Extra large 100 kg rock volume for the perfect „loylu“ effect.
- High safety in use thanks to the unique angled design of the side frame, which prevents stones from falling out.
- Improved inner construction with better air circulation for faster heat-up times.
- Ideal for placement in front of glass or in the centre of the sauna, all sides look alike.
- Made in Germany quality from EOS.

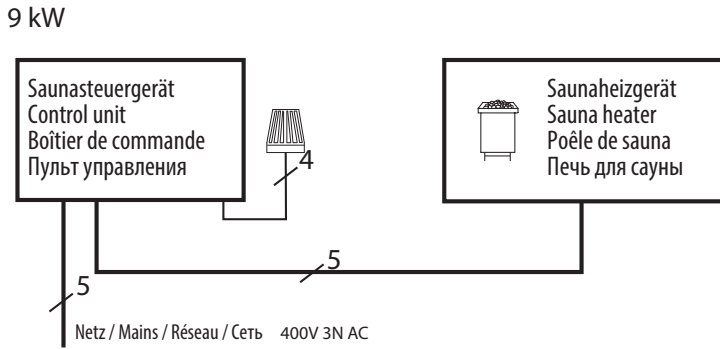
Specifications:

Corner posts:	Stainless steel with anthracite pearl effect powder coating, scratch resistant
Top:	Brushed stainless steel
Base:	Stainless steel, blank polished
Sides:	Special angled frame, stainless steel
Terminal box:	Stainless steel, integrated in the base
Power range:	9.0, 12.0, 15.0 and 18.0 kW
Power supply:	400 V 3N AC 50 Hz
Dimensions:	100 x 41 x 41 cm
Stone filling:	100 kg, incl. in delivery
Installation:	Floor-standing

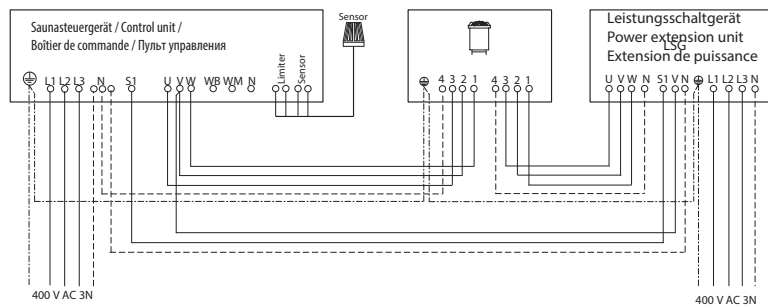


CE IPx4 MADE IN GERMANY

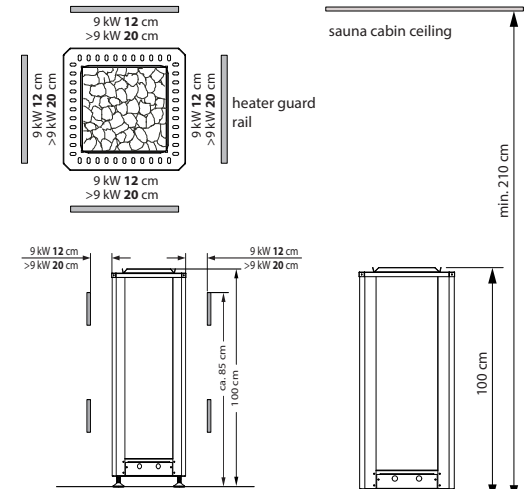
Connection diagram



12,0 - 18,0 kW



Minimum clearances



Suitable control units

Model	Item no.
Econ D1	94.5202
Econ D2	94.5204
Econ D3	94.5549
Econ D4	94.5842
Emotec D	94.5559
EmoTouch II+	94.5561

Power extension unit (e.g. Emotec L09R) is required for 12 - 18 kW heaters.

Technical specifications

Power output	Electrical connection	Connection mains - control unit	Connection control unit - heater	Connection mains - LSG	Connection LSG - heater	Connection control unit - LSG unit
9,0 kW	3N AC 50 Hz 400 V	5 x 2,5 mm ²	5 x 1,5 mm ²	--	--	--
12,0 kW				5 x 2,5 mm ²	5 x 1,5 mm ²	4 x 1,5 mm ²
15,0 kW						
18,0 kW						

All cross sections of a line are minimum diameters in mm² (copper wire).

Spare heating elements

Description	Item no.
For 9,0 kW (9 x 1000W)	2001.0888
For 12,0 kW (8 x 1500 W)	2001.0894
For 15,0 kW (10 x 1500 W)	2001.0894
For 18,0 kW (12 x 1500 W)	2001.0894
Mounting brackets for guard rail	94.5323

Item no.	Power output	Electrical connection	Fuse protection control unit	Fuse protection LSG unit	Dimensions H/W/D, in cm	For sauna cabin size	Min. size of air inlet and outlet	Weight without rocks	Stone filling	Power extension required
94.5603	9,0 kW	3N AC 50 Hz 400 V	3 x 16 A	--	100 / 41 / 41	9 - 14 m ³	300 cm ²	35 kg	100 kg	no
94.5604	12,0 kW			14 - 18 m ³		yes				
94.5605	15,0 kW			18 - 25 m ³						
94.5606	18,0 kW			24 - 30 m ³						